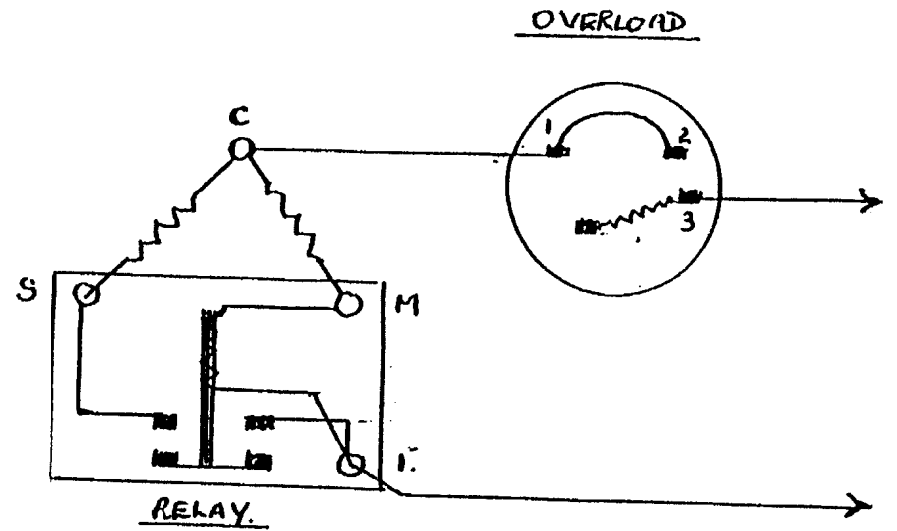
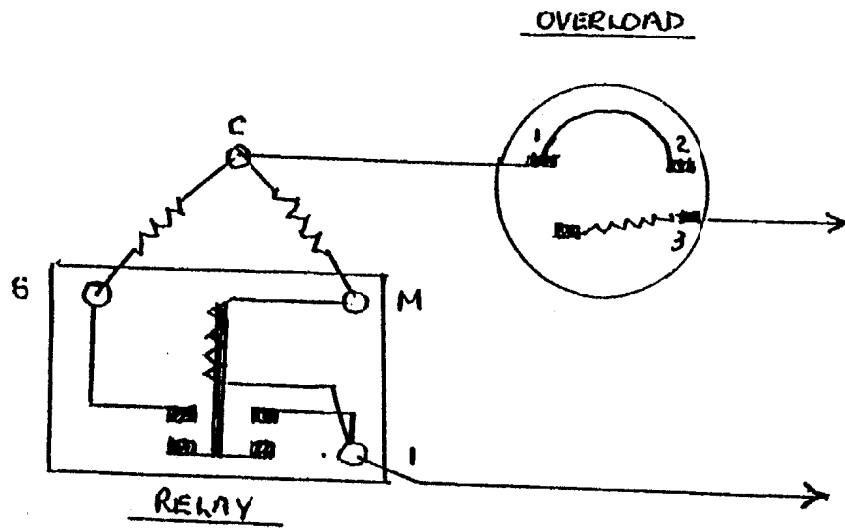
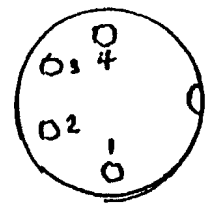
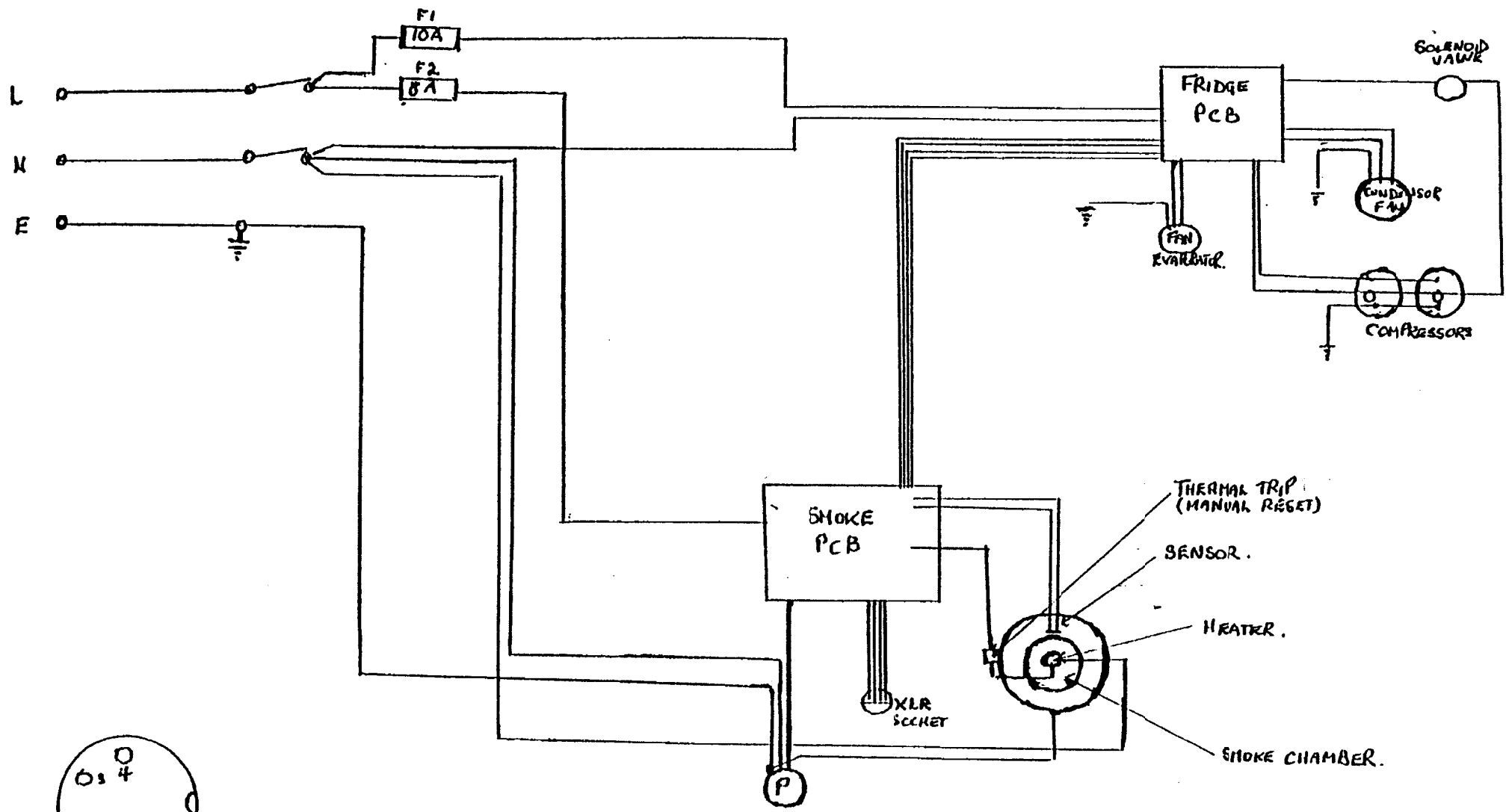


NOTE
 MAG VALVE IS CONNECTED
 ACROSS LIVE AND THERMAL
 TRIP CROSS LINK
 COMPRESSOR IS PERMANENTLY ON

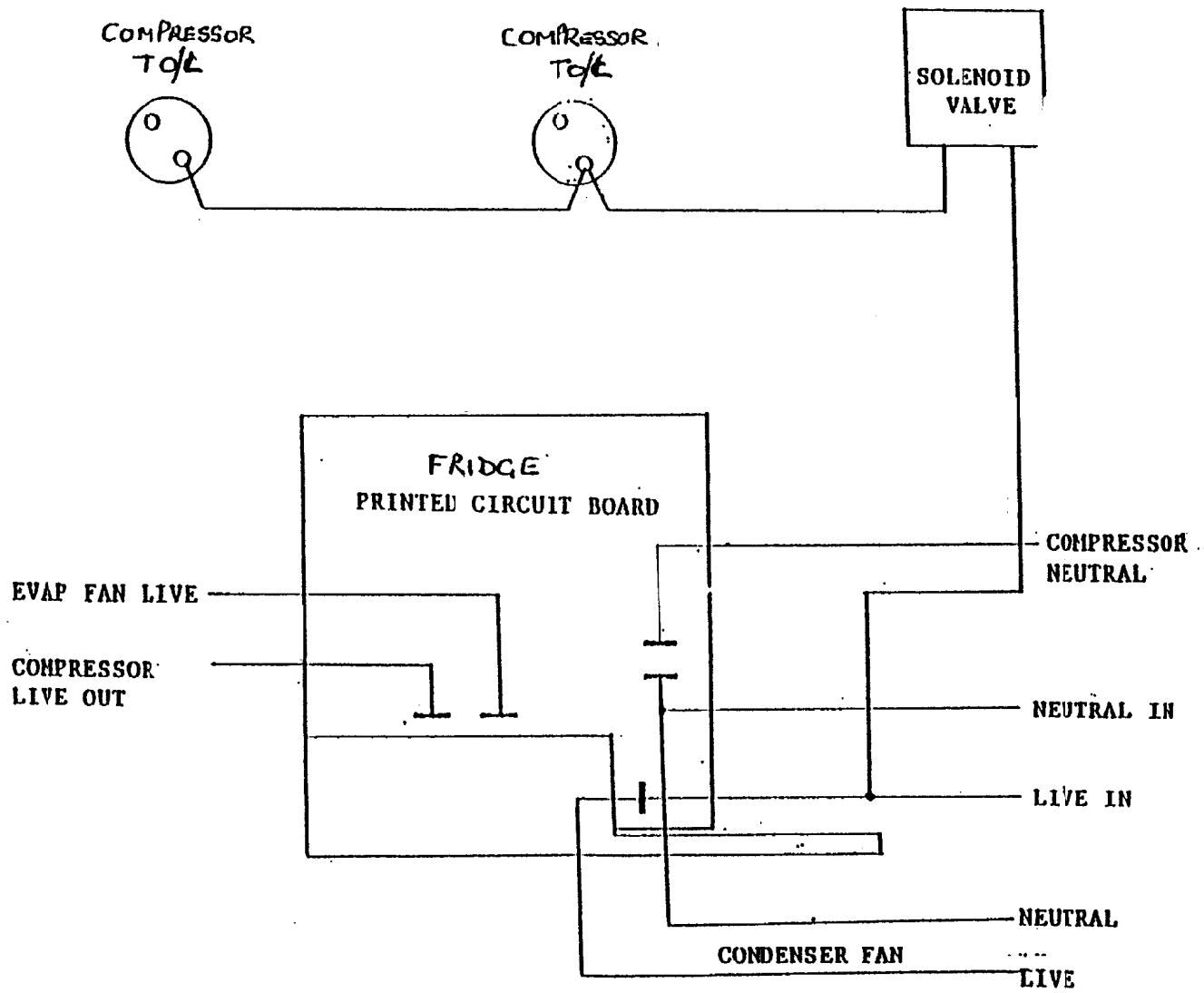
COMPRESSOR WIRING

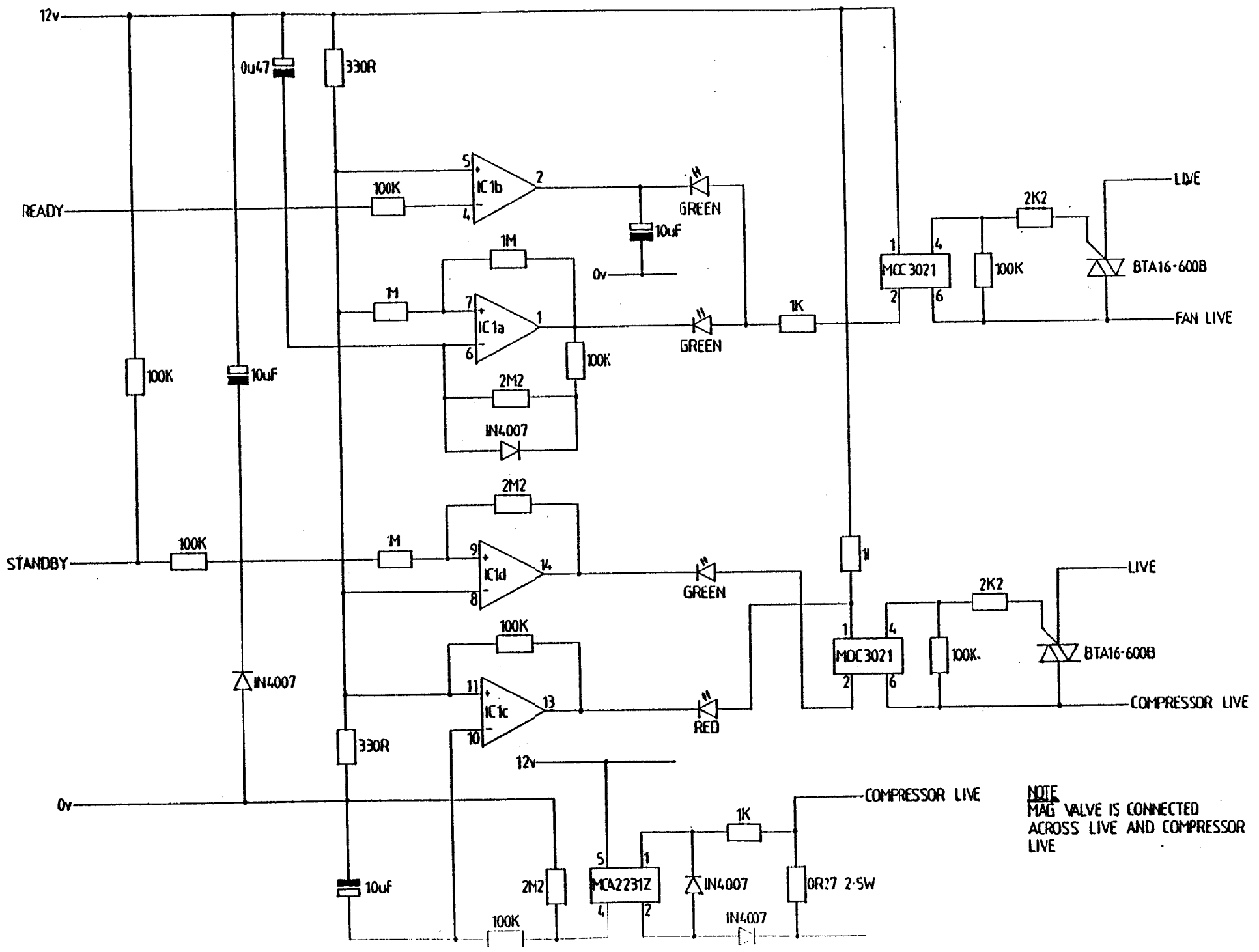




ED
 ELLOW
 INK
 REEN (x2) XLR SOCKET

NOTE: ON 120V version a heavier fuse holder (F1) is fitted in the compressor circuit, it is located next to the fridge P.C.B. alongside of condenser coil.





NOTE
MAG VALVE IS CONNECTED
ACROSS LIVE AND COMPRESSOR
LIVE

H/F ELECTRONIC CONTROLLER CC

MODEL. 500-750-1000-1250.

